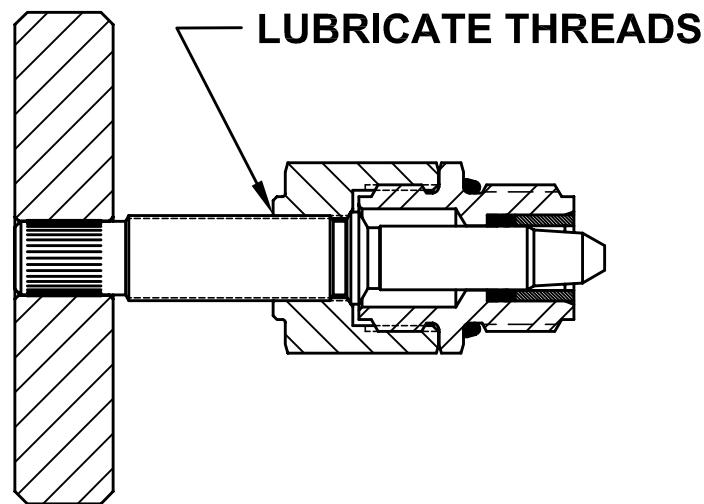


# **SIMPLEX SERVICE BULLETIN**

## **RP120A & RP120B**

### **RAIL PULLER**

**PROBLEM: NEEDLE VALVE ASSEMBLY # 41183 USED ON INTENSIFIER AND LOAD LOCK VALVE SEIZES PREVENTING KNOB FROM TURNING.**



**CAUSE: LACK OF LUBRICATION DURING ASSEMBLY AND / OR DAMAGED THREADS ON VALVE ADJUSTING SCREW.**

**SOLUTION: CHECK NEEDLE VALVE ASSEMBLIES FOR EASY ROTATION IN OPEN POSITION WITHOUT HYDRAULIC PRESSURE. LUBRICATE WITH PENETRATING ANTI-SEIZE LUBRICANT INDUSTRY- RAILWAY PART NO. 80208.**

**FOR QUESTIONS OR PROBLEMS CONTACT :**

<b>Industry-Railway Suppliers, Inc.</b>	<b>OR Templeton Kenly &amp; Co.</b>
<b>Inc. 811 Golf Lane</b>	<b>Broadview, IL 60155</b>
<b>Bensenville, IL 60106</b>	
<b>Tel. (630)766-5708</b>	<b>Tel. (800)323-9114</b>