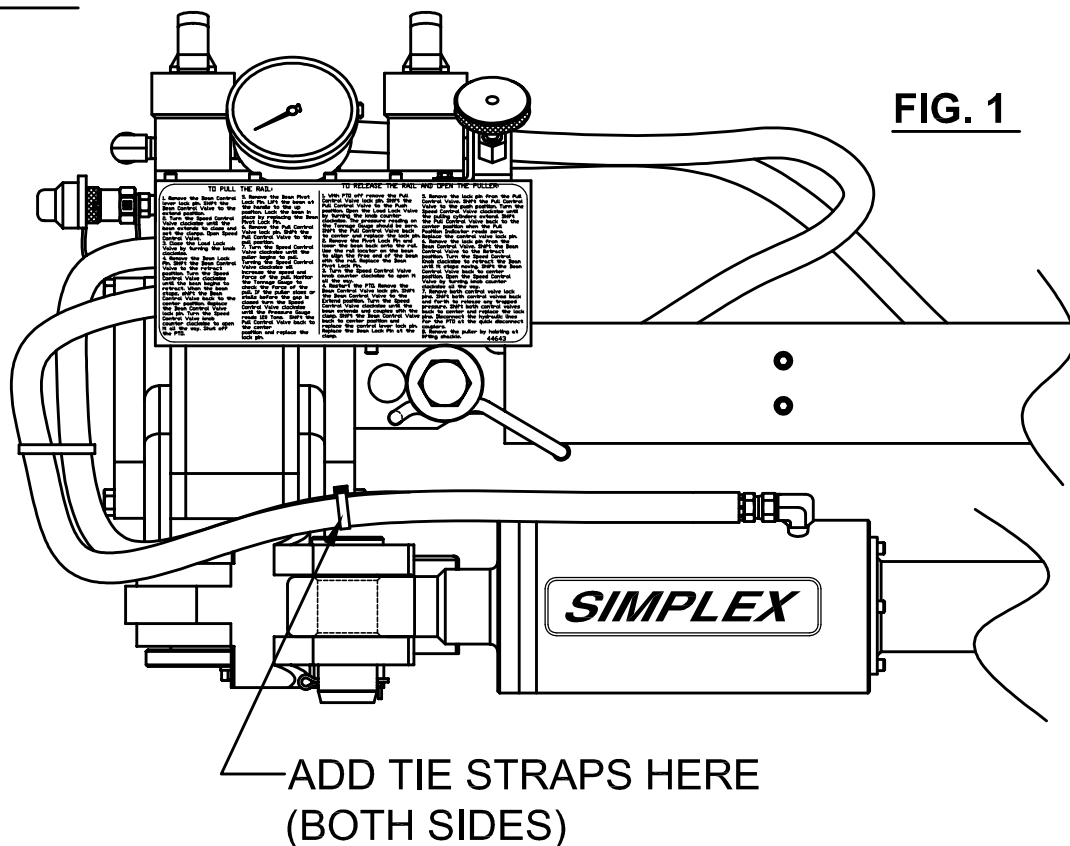


SIMPLEX SERVICE BULLETIN NO. 54283 RP120A & RP120B RAIL PULLER

PROBLEM: POSSIBLE PINCH POINTS DURING LOADING,
UNLOADING, AND POSITIONING OPERATIONS.

CAUSE: PRESSURE HOSES ON PULL CYLINDERS CAN
OVER HANG THE OUTSIDE EDGES OF THE PULLER.

SOLUTION: ADD TIE STRAPS TO HOSES TO KEEP THEM
POSITIONED INSIDE THE PULLER USING SIMPLEX KIT NO.
55279.



ASSEMBLE TIE STRAPS TO THE HOSES AS SHOWN IN FIG. 1 AND FIG. 2. MAKE SURE HOSES ARE POSITIONED TOGETHER ABOVE THE SWING ARM. EXCESS TIE STRAP MATERIAL CAN BE REMOVED WITH A SIDE CUTTING PLIERS.

APPLY TIE STRAP HERE

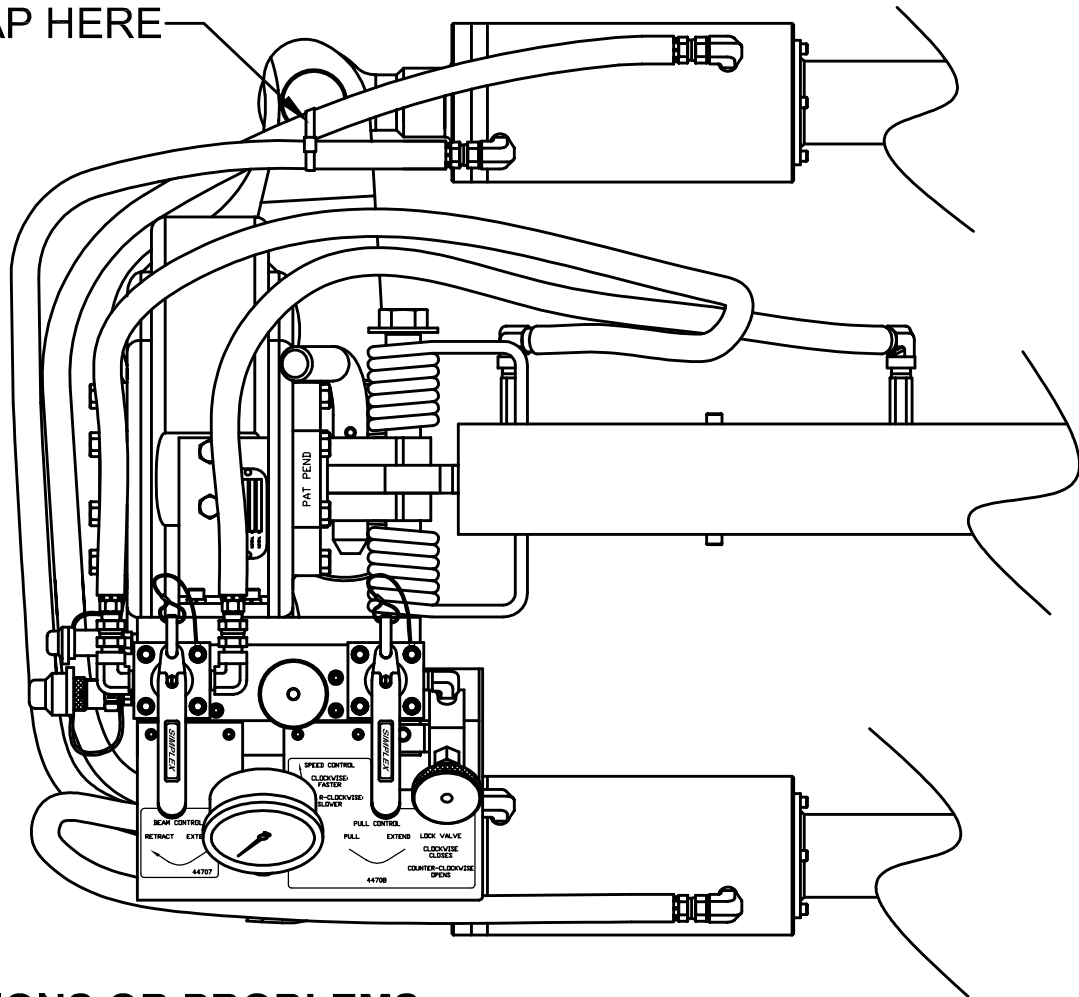


FIG. 2

FOR QUESTIONS OR PROBLEMS
CONTACT:

Industry-Railway Suppliers, Inc.
811 Golf Lane
Bensenville, IL 60106
Tel. (630)766-5708

OR Templeton Kenly & Co. Inc.
Broadview, IL 60155

Tel. (800)323-9114