

SIMPLEX SERVICE BULLETIN

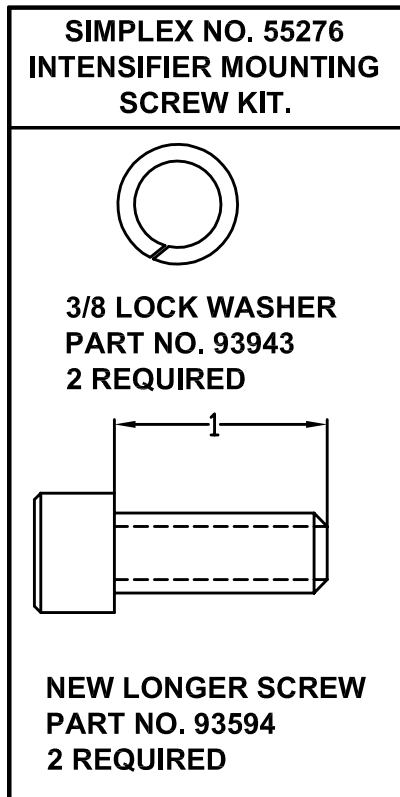
NO. 54281

RP120A & RP120B RAIL PULLER

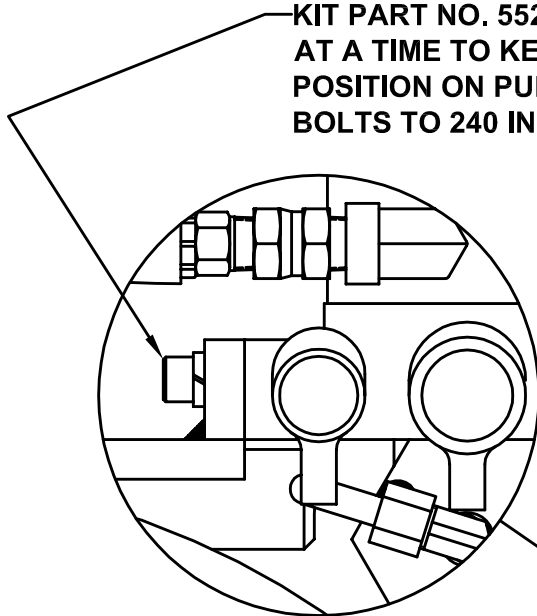
PROBLEM: INTENSIFIER MOUNTING BOLTS BECOME LOOSE AND FALL OUT OR DAMAGE MOUNTING HOLES IN THE INTENSIFIER MANIFOLD.

CAUSE: LACK OF LOCK WASHERS ON MOUNTING SCREWS AND MOUNTING SCREWS THAT ARE TOO SHORT.

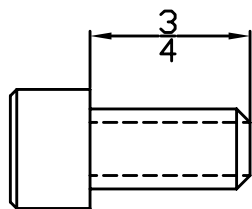
SOLUTION: REPLACE MOUNTING SCREWS WITH ONES THAT ARE 1/4 INCH LONGER AND ADD LOCK WASHERS WITH SIMPLEX KIT NO. 55276 .



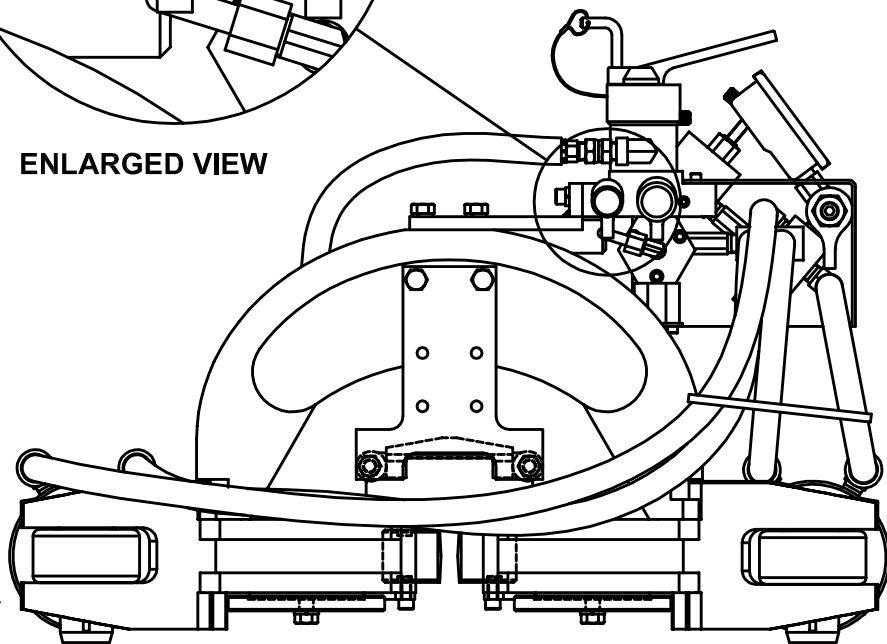
REMOVE AND REPLACE OLD MOUNTING SCREWS WITH NEW LONGER SCREWS AND LOCK WASHERS FROM THE REPLACEMENT KIT PART NO. 55276. REPLACE ONE SCREW AT A TIME TO KEEP INTENSIFIER IN POSITION ON PULLER. TORQUE MOUNTING BOLTS TO 240 INCH POUNDS.



ENLARGED VIEW



ORIGINAL SCREW



**FOR QUESTIONS OR PROBLEMS
CONTACT:**

**Industry-Railway Suppliers, Inc.
811 Golf Lane
Bensenville, IL 60106
Tel. (630)766-5708**

OR

**Templeton Kenly & Co. Inc.
Broadview, IL 60155**

Tel. (800)323-9114