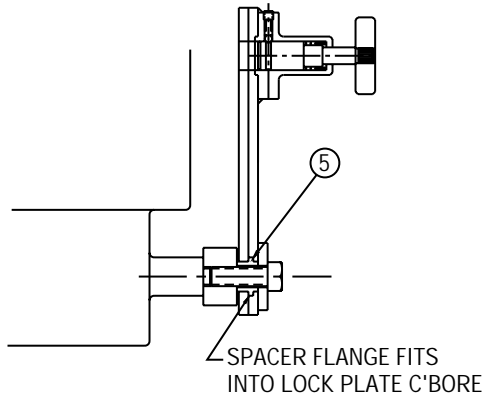
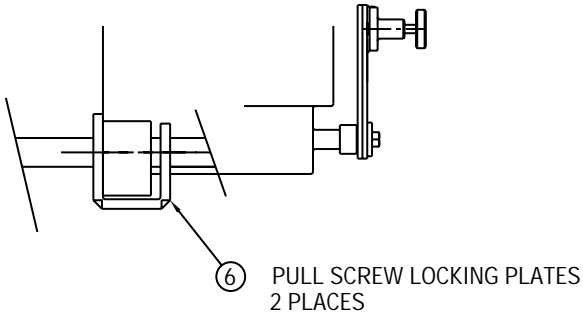
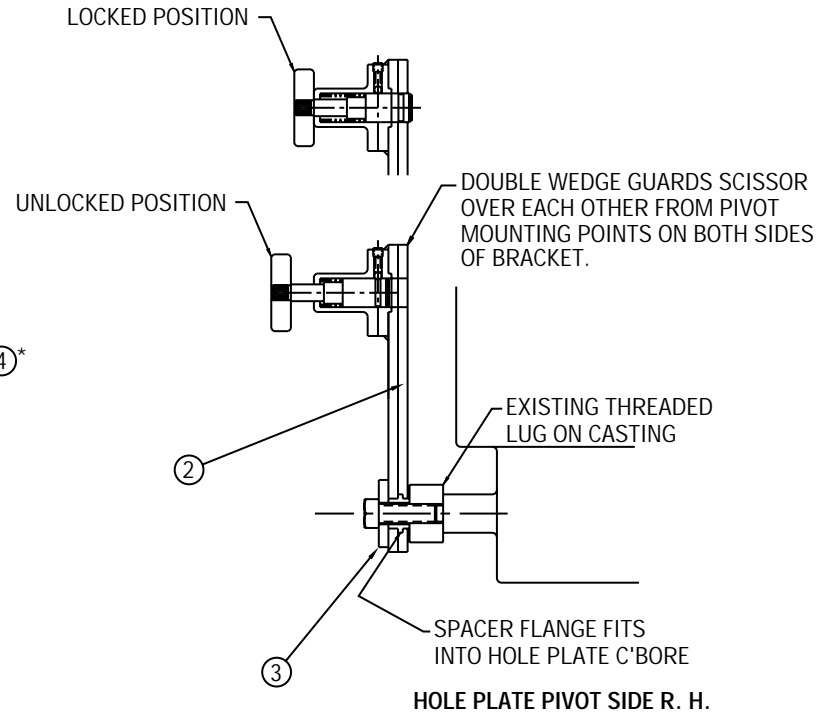
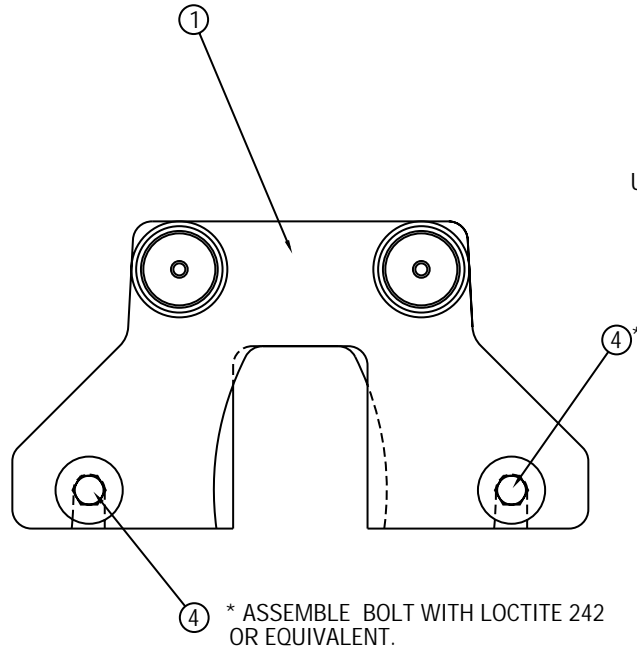


18821 WEDGE GUARD UPDATE KIT FOR RPE120



LOCKING PLATE PIVOT SIDE L. H.



Item #	Description	Model #	Quantity
	Loctite - 271 .5cc	88831	1
1	Lock Plate Assembly	43781	2
2	Lock Plate	43779	2
3	Retaining Locking Wedge Guard	43783	4
4	HCS 1/2-20 x 1.5 LG	43784	4
5	Spacer-Wedge Guard	43800	4
6	Lock Plate Pull Screw	43645	2

